

SA30 SAFETY PILOT KIT INSTALLATION & OPERATING INSTRUCTIONS

FOR USE WITH NATURAL GAS ONLY!

**IMPORTANT ! - PLEASE READ THE FOLLOWING MANUAL IN ITS ENTIRETY
BEFORE ATTEMPTING TO INSTALL OR OPERATE THIS APPLIANCE.
PLEASE LEAVE THIS MANUAL WITH THE OWNER !!**

FOR YOUR SAFETY

- **Do not store or use gasoline or any other flammable vapors or liquids in the vicinity of this or any other appliance.**

FOR YOUR SAFETY, WHAT TO DO IF YOU SMELL GAS :

- **Do not try to light any appliance.**
- **Do not touch any electrical switch;**
- **Do not use any phone in your building.**
- **Immediately call your gas supplier from a neighbor's phone. Follow the gas supplier's instructions.**
- **If you cannot reach your gas supplier, call the fire department.**

WARNING: Improper installation, adjustment, alteration, service or maintenance can cause injury or property damage. Refer to this manual. For assistance or additional information consult a qualified installer; service agency or the gas supplier.

This appliance may be installed in an aftermarket, permanently located, manufactured (mobile) home, where not prohibited by local codes.

This appliance is only for use with the type of gas indicated on rating plate. This appliance is not convertible for use with other gases.

GENERAL INFORMATION

Thank you for choosing a SIERRA RADIANT HEAT GAS LOG. Included in this kit is a safety pilot valve which allows for safety shutoff if the pilot light becomes extinguished. Please read this installation guide and the installation guide supplied with your gas log kit before attempting to install your appliance.

Installation and repair should be done by a qualified service person. The appliance should be inspected before use and at least annually by a professional service person. More frequent cleaning may be required due to excessive lint from carpeting, bedding material, etc. It is imperative that control compartments, burners and circulating air passageways of the appliance be kept clean.

Installation and provisions for combustion and ventilation air must conform with the National Fuel Gas Code, ANSI Z223.1.

The installation of gas appliances vary with the locality. Please check local building codes prior to installation to insure conformance with these codes.

Provide adequate clearances around air openings into the fireplace hearth and adequate accessibility clearance for servicing and proper operation. Never obstruct the front opening of the fireplace.

Do not use this appliance if any part has been under water. Immediately call a qualified service technician to inspect the appliance and to replace any part of the control system and any gas control which has been underwater.

Any safety screen or guard removed for servicing this appliance must be replaced prior to operating the gas logs.

Keep the appliance area clear and free from combustible materials, gasoline and other flammable vapors and liquids. Never leave small children unattended near an operating appliance.

**THIS SAFETY PILOT KIT MUST BE INSTALL BY A
PROPERLY TRAINED TECHNICIAN.**

**NOTE - IF THE FIREPLACE IS EQUIPPED WITH GLASS
DOORS, THE DOORS MUST BE FULLY OPEN WHEN
OPERATING THE LOG SET.**

INSTALLATION INSTRUCTIONS

**CAUTION - MAKE SURE ALL GAS TO SUPPLY LINE IN
FIREPLACE IS SHUT OFF BEFORE PROCEEDING !**

**This appliance may be installed into bedrooms and
bathrooms, provided installation meets unconfined
space requirements as noted in section 6.61 of the
National Fuel Gas Code NFPA 54-1996.**

Thoroughly familiarize yourself with the gas log kit installation instructions supplied with the gas log kit. Review the installation requirements including proper gas supply pipe size, proper vent size, and any special requirements based on local building codes.

Determine which side of the burner pan will be used as and inlet side. Remove all safety pilot kit parts from carton and identify them with **figure 1**.

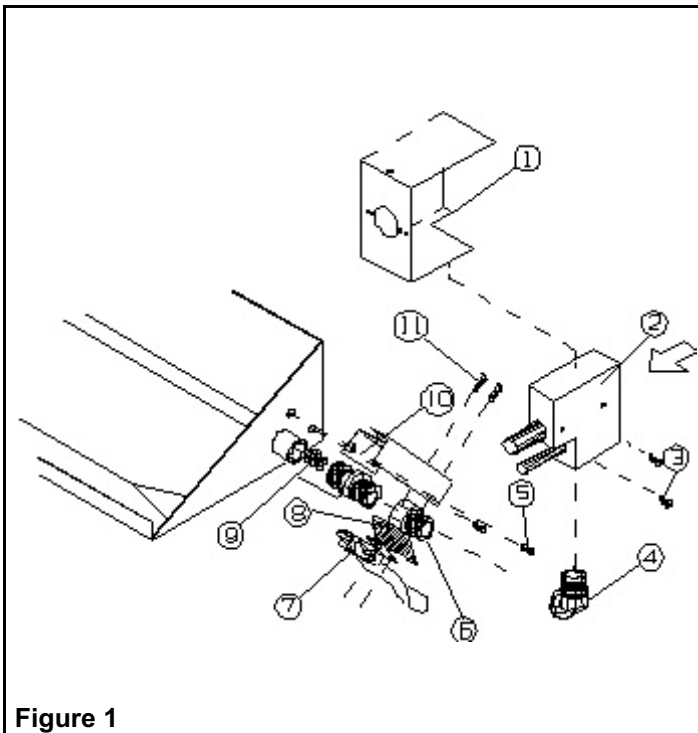


Figure 1

INCLUDED IN THIS KIT

- 1 - Heat Shield
- 2 - Safety Valve
- 3 - #8 Screws and nuts
- 4 - Brass Elbow
- 5 - (2) #8 Metal Screws
- 6 - Flare adapter
- 7 - Pilot Assembly
- 8 - Insulation Material
- 9 - Orifice Cap and Fitting (Supplied with log kit)
- 10 - (2) Pilot Brackets (Right or Left)
- 11 - (2) #10x32 Screws

TOOLS REQUIRED

- Standard Screw Driver
- Phillips Screw Driver
- Adjustable Wrenches
- Pipe Thread Sealer

1. Remove the **straight fitting** supplied with your gas log kit's gas connector assembly. This fitting incorporates a orifice which regulates the amount of gas your gas log consumes. Remove orifice cap and install in long fitting supplied in kit. Apply pipe thread sealer to inlet side of burner pan and install orifice fitting.
2. Next install the **3/8 pipe plug** included in your gas log kit into the opposite end of the burner pan using a small amount of pipe thread sealer.
3. Install **brass elbow** from pilot kit onto the orifice fitting using a small amount of pipe thread sealer. Tighten so elbow male end is pointed up (**fig. 1**).
4. Apply a small amount of thread sealer to elbow. Next install the **safety valve** onto the nipple. Make certain that the flow arrow indicates proper gas flow direction through valve (**fig 2**).
5. Assemble **pilot** onto the appropriate bracket for left or right hand installation using two #10/32 screws (**fig 2**). Insert **insulation material** between pilot and bracket before tightening.
6. Insert **1/4" aluminum pilot supply tube** into the receiver

on the safety valve. Make certain that the tube is fully seated and tighten the **brass compression nut**.

7. Carefully bend pilot tubing so as to align pilot and bracket to side of burner pan. Attach bracket to burner with two #8 screws. **Be careful not to kink tubing.**

8. Install **heat shield** over safety valve (**fig 3**). Connect remaining pilot lead to valve and tighten. **Be careful not to kink lead.**

9. Install burner pan into fireplace. (**Refer to log kit installation instruction.**)

GAS SUPPLY CONNECTION :

DO NOT CONNECT APPLIANCE BEFORE PRESSURE TESTING GAS PIPING. DAMAGE TO GAS VALVE MAY RESULT AND AN UNSAFE CONDITION MAY BE CAUSED

The appliance and it's individual shut-off valve must be disconnected from the gas supply piping system during any pressure testing of that system at test pressures in excess of 1/2 psig (3.5 kPa).

The appliance must be isolated from the gas supply piping system by closing its individual manual shut-off valve during any pressure testing of the gas supply piping system at test pressures equal to or less than 1/2 psig (3.5 kPa).

GAS RATINGS			
TYPE OF GAS:		NATURAL	L.P. (PROPANE)
MAX. INPUT RATING:	-18	46000 BTU	46000 BTU
	-24	57000 BTU	57000 BTU
	-30	80000 BTU	80000 BTU
† MIN. SUPPLY PRESSURE:		5.0 in.WC (1.24 kPa)	11.0 in.WC (2.74 kPa)
MAX. SUPPLY PRESSURE:		7.0 in.WC (1.74 kPa)	13.0 in.WC (3.23 kPa)

† For the purpose of input adjustment.

A **manual shut-off valve** must be included **within (6') six feet** of the appliance's gas supply system. This shut-off valve is not supplied with the appliance. It may be preferable and more convenient to install the type of shut-off valve that can be accessed through a wall with a key (check local building codes).

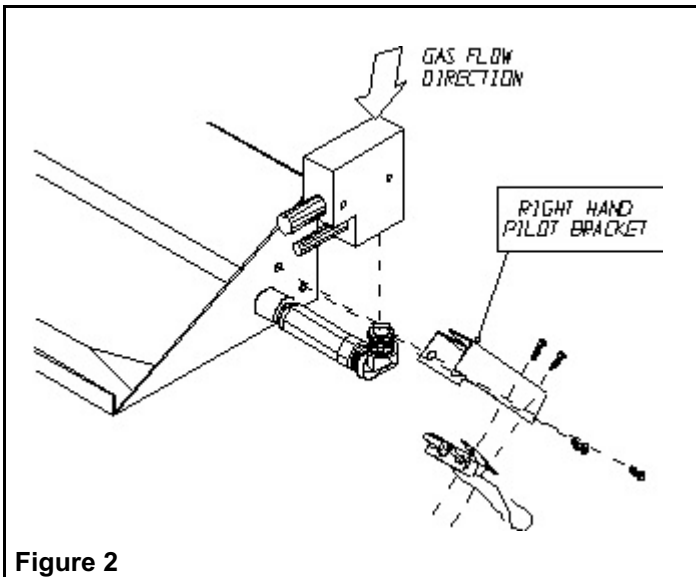
1. Remove all ashes or other debris from fireplace. If your fireplace is equipped with an ash dump, the door must be sealed with high temperature silicone or furnace cement.
2. Run a **1/2" NPT Black Iron gas line** through fireplace and into hearth area, allowing only enough stem to install appropriate connector. Prepare incoming black iron gas line with **Teflon tape** or **pipe joint compound** (check with local codes).

Compounds used on threaded joints of gas piping shall be resistant to the action of Liquefied Petroleum (LP or Propane), and should be applied lightly to ensure excess sealant does not enter the gas line.

A provision is made for a test gauge connection. Access for connection is on top of valve with shield removed.

3. Position burner base in the center of the fireplace hearth. Apply thread sealant on the incoming gas line and install the connector. The male end of the fitting on the safety valve should point towards the rear of the fireplace. If a flexible, aluminum gas line connector is used (check local codes), be careful not to kink tubing when hand forming to fit between burner pan and incoming gas line (**Figure 3**). It's important that the gas supply line fitting nuts are towards the outside ends; once the line is bent, the fitting nuts will not slide over bends.

4. Place grate in the center of firebox and adjust the



position of the burner pan until the back edge is close to the center of the grate. Adjust connector as necessary to keep the burner pan stable in this position, then remove the grate.

5. After gas line connection is complete, **turn on gas supply** and check connections for leaks. This is done by brushing or spraying each fitting from incoming gas line to log set with a solution of 50% soap and 50% water. If bubbles appear, further tightening will be required.

CAUTION! NEVER CHECK FOR LEAKING GAS CONNECTIONS WITH AN OPEN FLAME.

6. Fill burner pan with material per installation manual included with gas log kit. Adjust pilot as follows.

USE THIS INSTRUCTION SHEET IN CONJUNCTION WITH INSTALLATION INSTRUCTION PROVIDED WITH GAS LOG KIT.

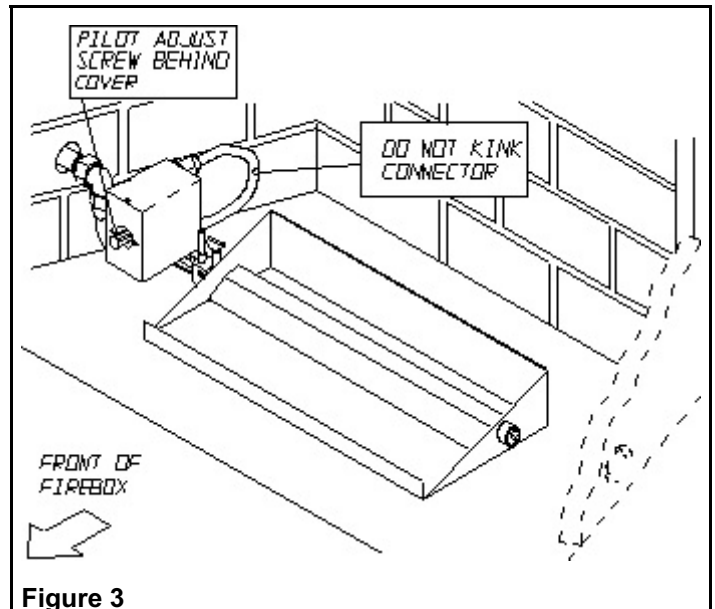


Figure 3

NOTE: After completing installation check for proper pilot flame (**Figure 4**) and burner operation (see Lighting Instructions) - If pilot flame is reduced by operating main burner, a pressure reading should be taken at the inlet side of the safety valve. Verify minimum required inlet pressure and re-test for gas leaks before proceeding with installation. Because of the varied conditions under which the log set operates, it is sometimes necessary to adjust the burner pilot flame.

To adjust the pilot flame: Remove the heat shield. Locate the pilot adjusting screw to the left of the control knob. Using a small screwdriver, turn the pilot adjusting screw until the flame resembles **Figure 4**. Now turn the log set on and readjust the pilot if necessary.

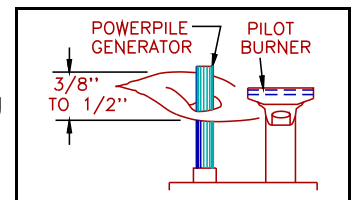


Figure 4

7. Complete log kit installation as outlined in log kit manual.

The gas log must be operated with a fireplace screen in place. The screen must have sufficient holes to allow for combustion air.

TROUBLE SHOOTING

If pilot or main burner will not light:

- 1) Make certain gas supply is turned "ON".
- 2) Make certain all air is bled from system.
- 3) Make certain you have followed the safety and operating instructions.
- 4) Call a qualified repair person to inspect the appliance.

If pilot or main burner shuts off after appliance has operated for 30 minutes:

- 1) Make certain gas supply is turned "ON".
- 2) Make certain there is adequate combustion and ventilation air.
- 3) Call a qualified repair person to inspect and adjust the appliance. Make certain there is adequate gas pressure at the control and the pilot is adjusted as per figure 4.


OPERATING INSTRUCTIONS FOR MANUAL SAFETY VALVE

FOR YOUR SAFETY READ BEFORE LIGHTING


WARNING: If you do not follow these instructions exactly, a fire or explosion may result causing property damage, personal injury or loss of life.

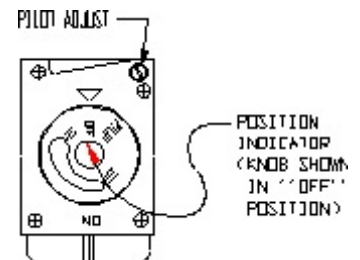
- A. This appliance has a pilot which must be lighted by hand. When lighting pilot follow these instructions exactly.
- B. **BEFORE LIGHTING** smell all around the appliance area for gas. Be sure to smell next to the floor because some gas is heavier than air and will settle on the floor.
WHAT TO DO IF YOU SMELL GAS;
 - Do not try to light any appliance.
 - Do not touch any electric switch; do not use any phone in your building.
 - Immediately call your gas supplier from a neighbor's phone. Follow the gas supplier's instructions.
 - If you cannot reach your gas supplier, call the fire department.
- C. Use only your hand to push in or turn the gas control knob, **NEVER** use tools. If the knob will not push in or turn by hand don't try to repair it, call a qualified service technician. Force or attempted repair may result in fire or explosion.
- D. Do not use this appliance if any part has been under water. Immediately call a qualified service technician to inspect the appliance and to replace any part of the control system and any gas control which has been underwater.

LIGHTING INSTRUCTIONS

1. **STOP!** Read the safety information above before proceeding.
2. Push in gas control knob slightly and turn clockwise  to "OFF".

NOTE: Knob cannot be turned unless pushed in slightly. Do not force.

3. Wait five (5) minutes to clear out any gas. If you then smell gas, **STOP!** Follow "B" in the safety information above. If you don't smell gas, go to next step.
4. Locate the pilot burner on the left hand side, next to burner.
5. Turn knob counter clockwise to Pilot. Push control knob all the way in and hold in, immediately lighting the pilot with a match. Continue to hold the control knob in for about 1-1/2 minutes after the pilot is lit. Release knob and it will pop back up. Pilot should remain lit. If it goes out, repeat steps 2 through 5.
 - If knob does not pop up when released, stop and immediately call your service technician or gas supplier.
 - If the pilot will not stay lit after several tries, turn the gas control knob to "OFF" and call your service technician or gas supplier.
6. Turn gas control knob counterclockwise  to "HI".



IF THE FIREPLACE IS EQUIPPED WITH GLASS DOORS, THE DOORS MUST BE FULLY OPEN WHEN OPERATING THE LOG SET.

TO TURN OFF APPLIANCE

1. Push in gas control knob slightly and turn clockwise  to "OFF". Do not force.
2. Close screens and glass door.

